

MKDSP 25/ 2-15,00-F

Order No.: 1932494

The figure shows a 5-pos. version of the product

<http://eshop.phoenixcontact.de/phoenix/treeViewClick.do?UID=1932494>

PCB terminal block with mounting flange, nominal current: 125 A,
rated voltage: 1000 V, pitch: 15.0 mm, no. of positions: 2, mounting:
Soldering, type of connection: Screw connection, connection direction
from the conductor to the PCB: 0°

| Commercial data | |
|--------------------------|--------------------|
| EAN | 4017918902025 |
| Pack | 25 Pcs. |
| Customs tariff | 85369010 |
| Weight/Piece | 0.04576 KG |
| Catalog page information | Page 295 (CC-2007) |

Product notes

WEEE/RoHS-compliant since:
07/15/2005



<http://www.download.phoenixcontact.com>
Please note that the data given here has been taken from the online catalog. For comprehensive information and data, please refer to the user documentation. The General Terms and Conditions of Use apply to Internet downloads.

| Technical data | |
|-------------------------------|-------|
| Dimensions / positions | |
| Pitch | 15 mm |
| Dimension a | 15 mm |
| Number of positions | 2 |

| | |
|------------------------|--------------|
| Pin dimensions | 1,2 x 1,2 mm |
| Hole diameter | 1.6 mm |
| Screw thread | M5 |
| Tightening torque, min | 2.5 Nm |

Technical data

| | |
|------------------------------------|---|
| Insulating material group | I |
| Rated voltage (III/2) | 1000 V |
| Rated voltage (II/2) | 1000 V |
| Connection in acc. with standard | EN-VDE |
| Nominal current I_N | 125 A |
| Nominal voltage U_N | 1000 V |
| Nominal cross section | 35 mm ² |
| Maximum load current | 125 A (with 35 mm ² conductor cross section) |
| Insulating material | PA |
| Inflammability class acc. to UL 94 | V0 |
| Internal cylindrical gage | B7 |
| Stripping length | 18 mm |

Connection data

| | |
|--|---------------------|
| Conductor cross section solid min. | 0.5 mm ² |
| Conductor cross section solid max. | 35 mm ² |
| Conductor cross section stranded min. | 0.5 mm ² |
| Conductor cross section stranded max. | 25 mm ² |
| Conductor cross section stranded, with ferrule without plastic sleeve min. | 1 mm ² |
| Conductor cross section stranded, with ferrule without plastic sleeve max. | 25 mm ² |
| Conductor cross section stranded, with ferrule with plastic sleeve min. | 1.5 mm ² |
| Conductor cross section stranded, with ferrule with plastic sleeve max. | 25 mm ² |
| Conductor cross section AWG/kcmil min. | 20 |
| Conductor cross section AWG/kcmil max | 2 |
| 2 conductors with same cross section, solid min. | 0.5 mm ² |
| 2 conductors with same cross section, solid max. | 6 mm ² |

| | |
|---|---------------------|
| 2 conductors with same cross section, stranded min. | 0.5 mm ² |
| 2 conductors with same cross section, stranded max. | 6 mm ² |
| 2 conductors with same cross section, stranded, ferrules without plastic sleeve, min. | 0.5 mm ² |
| 2 conductors with same cross section, stranded, ferrules without plastic sleeve, max. | 4 mm ² |
| 2 conductors with same cross section, stranded, TWIN ferrules with plastic sleeve, min. | 0.5 mm ² |
| 2 conductors with same cross section, stranded, TWIN ferrules with plastic sleeve, max. | 6 mm ² |

Certificates / Approvals



CUL

| | |
|--------------------------------|-------|
| Nominal voltage U _N | 600 V |
| Nominal current I _N | 115 A |
| AWG/kcmil | 20-2 |

UL

| | |
|--------------------------------|-----------------------------|
| Nominal voltage U _N | 600 V |
| Nominal current I _N | 115 A |
| AWG/kcmil | 20-2 |
| Certification | CB, CCA, CUL, GOST, SEV, UL |

Accessories

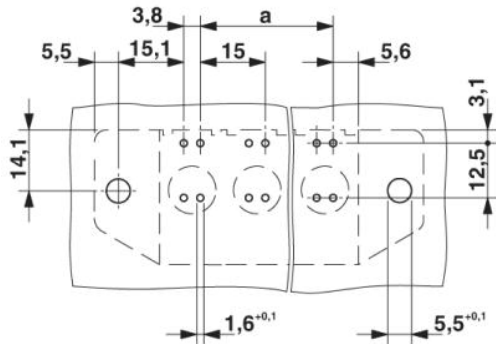
| Item | Designation | Description |
|---------------------|--------------------|---|
| Marking | | |
| 0811192 | SK 15/5:UNBEDRUCKT | Marker card, unprinted, with 12 pcs., 10-section marker strips, self-adhesive, color: White |
| 0811202 | ZBF 15:UNBEDRUCKT | Zack strip, flat, unprinted, 5-section, divisible, for labeling by the customer |
| Plug/Adapter | | |
| 0201647 | RPS | Reducing plug, for transition from 4 mm diameter test plug socket, insulation: gray |

Tools

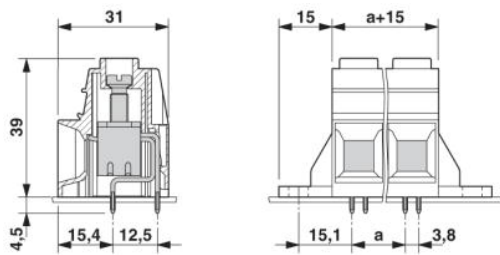
| | | |
|---------|-------------|---|
| 1205079 | SZS 1,0X6,5 | Screwdriver, bladed, matches all screw terminal blocks with a connection cross section of over 16 mm ² , blade: 1.0 x 6.5 mm |
|---------|-------------|---|

Drawings

Drilling diagram



Dimensioned drawing



Address

PHOENIX CONTACT Inc., USA
586 Fulling Mill Road
Middletown, PA 17057, USA
Phone (800) 888-7388
Fax (717) 944-1625
<http://www.phoenixcon.com>



© 2008 Phoenix Contact
Technical modifications reserved;